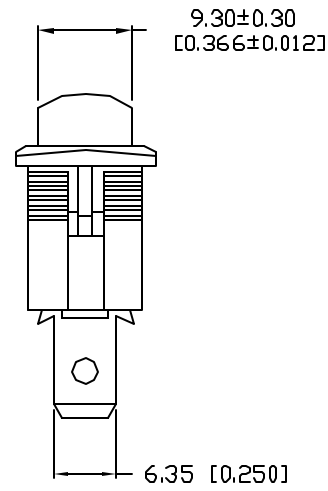
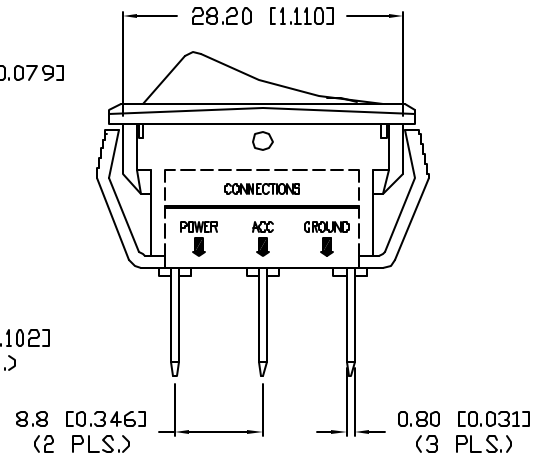
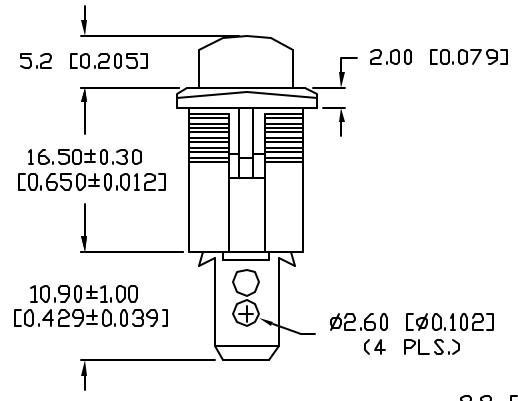
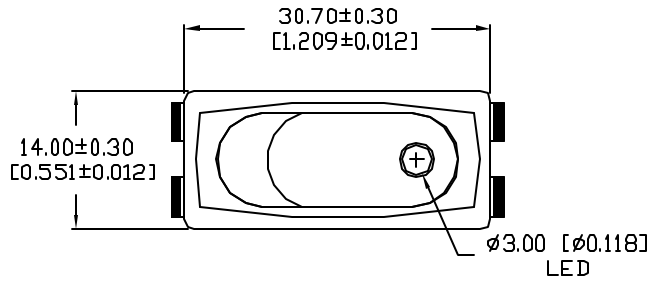


UNCONTROLLED DOCUMENT

PART NUMBER		REV.
CLS-RR11A12251B		A
REV.	E.C.N. NUMBER AND REVISION COMMENTS	DATE
A	E.C.N. #11148.	12.08.06

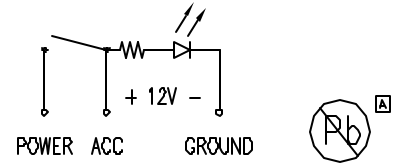


CHARACTERISTICS	
RATING	25A AT 12VDC
LED COLOR	BLUE
CIRCUIT OPERATION	SPST
NO. OF PINS	3
SWITCH OPERATION	ON-OFF

PANEL CUTOUT

THICKNESS	X	Y
0.75~1.25	28.500	11.600
1.25~2.00	28.700	11.600
2.00~3.00	29.000	11.600

INTERNAL CIRCUIT



\*UNLESS OTHERWISE SPECIFIED TOLERANCES PER DECIMAL PRECISION ARE: X=±1 (±0.039), X.X=±0.5 (±0.020), X.XX=±0.25 (±0.010), X.XXX=±0.127 (±0.005). LEAD SIZE=±0.05 (±0.002), LEAD LENGTH=±0.75 (±0.030). MIN.=<sup>+0.00</sup><sub>-0.00</sub> DECIMAL PRECISION MAX.=<sup>+0.00</sup><sub>-0.00</sub> DECIMAL PRECISION

UNCONTROLLED DOCUMENT

REV. A	PART NUMBER CLS-RR11A12251B	CONFIDENTIAL INFORMATION THE INFORMATION CONTAINED IN THIS DOCUMENT IS THE PROPERTY OF LUMEX INC. EXCEPT AS SPECIFICALLY AUTHORIZED IN WRITING BY LUMEX INC, THE HOLDER OF THIS DOCUMENT SHALL KEEP ALL INFORMATION CONTAINED HEREIN CONFIDENTIAL AND SHALL PROTECT SAME IN WHOLE OR IN PART FROM DISCLOSURE AND DISSEMINATION TO ALL THIRD PARTIES.	290 E. HELEN ROAD PALATINE, IL 60067-6976 PHONE: +1.847.359.2790 US WEB: www.lumex.com TW WEB: www.lumex.com.tw
BLUE LED, ILLUMINATED, RECTANGULAR ROCKER SWITCH, RATED FOR 25A AT 12V.		RELIABILITY NOTE OUR MANY YEARS OF EXPERIENCE DATA ACCUMULATION INDICATE THAT SOLDER HEAT IS A MAJOR CAUSE OF EARLY AND FUTURE FAILURE. PLEASE PAY ATTENTION TO YOUR SOLDERING PROCESS.	DRAWN BY: JC CHECKED BY: APPROVED BY: DATE: 12.08.06 PAGE: 1 OF 1 SCALE: N/A